

Model 669

HIGH PRESSURE AIRFLOW FOR COOLING & HEATING

FEATURES AND BENEFITS

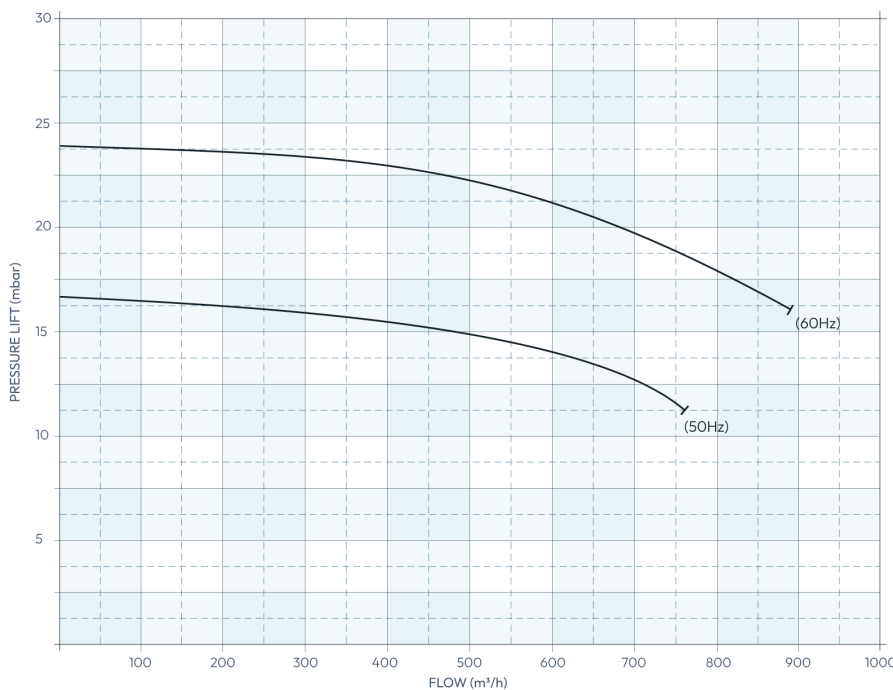
- Belt & Bearing-Free Design
- Increase Pressure By Up To:
 - 17 mbar (50Hz)
 - 23.8 mbar (60Hz)
- High-Strength Industrial Design
- Energy Efficient Motor Technology
- Very Compact For Easy Installation
- No Maintenance



Product supplied may differ from image based on pressure requirements. Image represents Model 669 Direct Drive Fan.

	SINGLE PHASE	THREE PHASE
Motor	0.55 kW	0.55 kW
Weight	13.5 kg	13.5 kg
Phase	1	3
Noise level	71 dB(A)	71 dB(A)
Voltage	240 V	400 V
Frequency	50 / 60 Hz	50 / 60 Hz
Run current	3.5 A	1.5 A
Max inlet air*	40° C	40° C

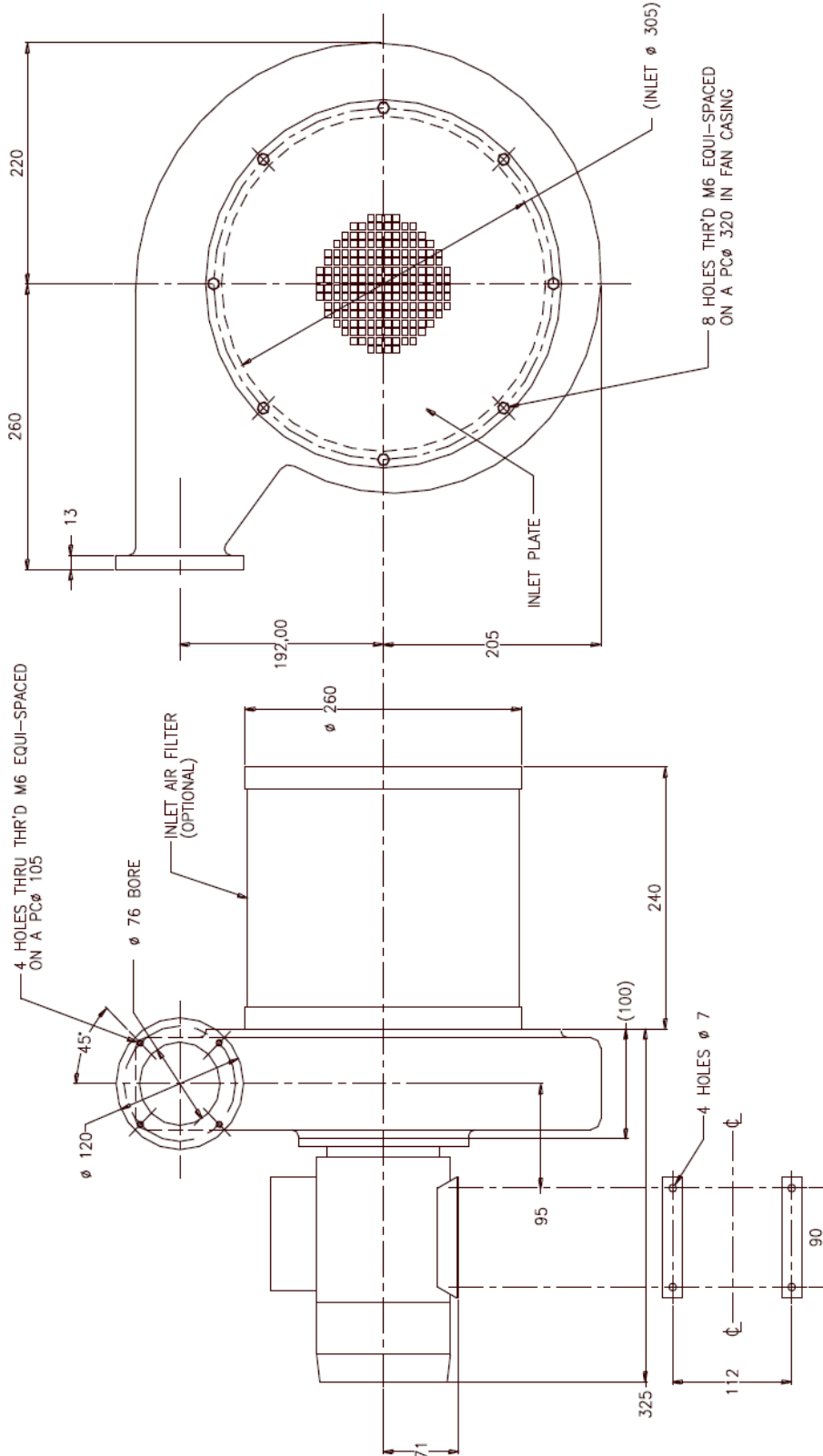
PERFORMANCE CURVE



BLOWERS - DIRECT DRIVE

Model 669

DIMENSIONAL DRAWING



All dimensions in mm

BLOWERS - DIRECT DRIVE