

Model 643

HIGH PRESSURE AIRFLOW FOR COOLING & HEATING

FEATURES AND BENEFITS

- Belt & Bearing-Free Design
- Increase Pressure By Up To:
 - 24 mbar (50Hz)
 - 33.75 mbar (60Hz)
- High-Strength Industrial Design
- Energy Efficient Motor Technology
- Very Compact For Easy Installation
- No Maintenance

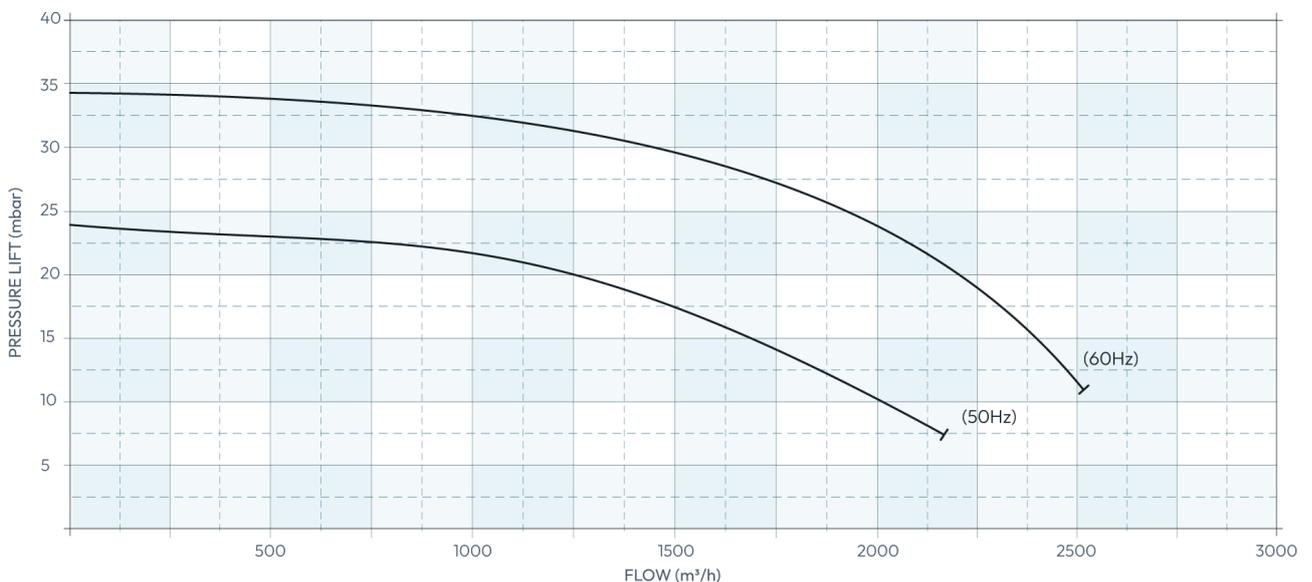


Product supplied may differ from image based on pressure requirements. Image represents Model 643 Direct Drive Fan.

	MODEL 643
Motor	2.2 kW
Weight	34 kg
Phase	3
Noise level	88 dB(A)
Voltage	400 V
Frequency	50 / 60 Hz
Run current	4,6 A
Max inlet air*	40° C

BLOWERS - DIRECT DRIVE

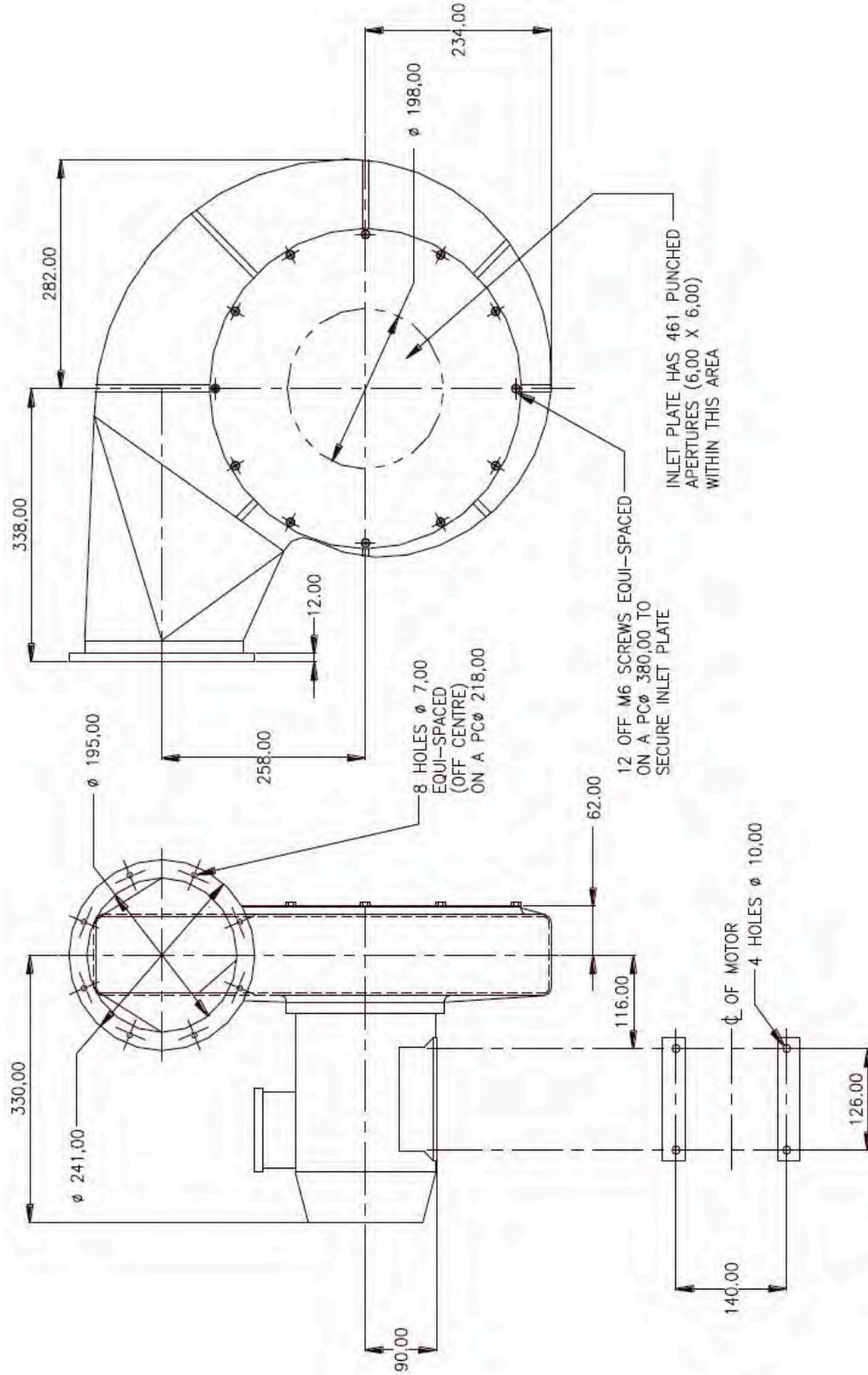
PERFORMANCE CURVE



Model 643

DIMENSIONAL DRAWING

BLOWERS - DIRECT DRIVE



All dimensions in mm