

## Model 575/1

HIGH-SPEED AIRFLOW FOR COOLING & HEATING

### FEATURES AND BENEFITS

- Reliable Belt-Driven Performance
- Increase Pressure By Up To 40 mbar
- Extremely Energy Efficient
- High-Strength Industrial Design
- Compact Footprint For Easy Installation
- Very Low Maintenance

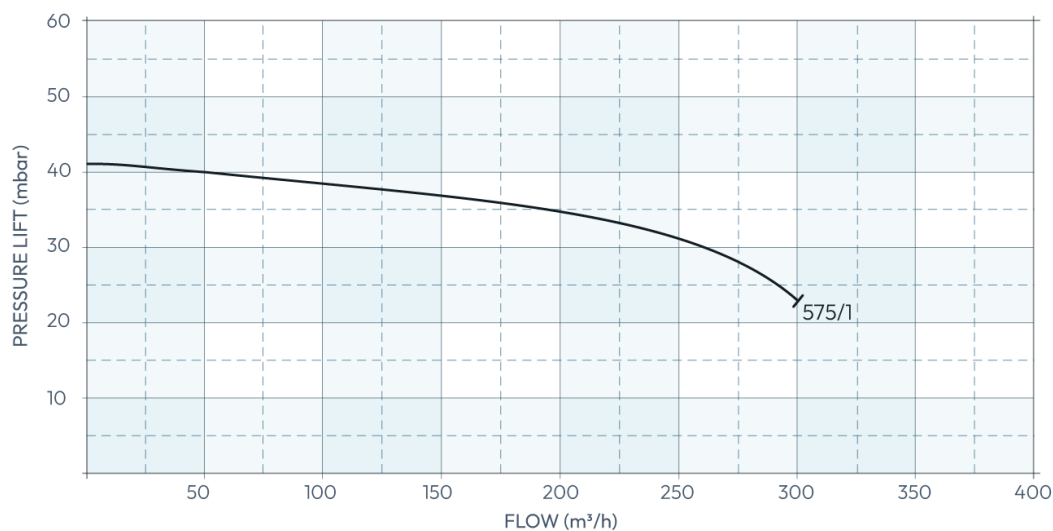


Product supplied may differ from image based on pressure requirements. Image represents Model 575 High Velocity Blower.

	SINGLE PHASE	THREE PHASE
Motor	0.55 kW	0.55 kW
Weight	16 kg	15 kg
Phase	1	3
Noise level*	76 dB(A)	76 dB(A)
Voltage	240 V	380 V - 480 V
Frequency	50 / 60 Hz	50 / 60 Hz
Run current	3.5 A	1.5 A

\*Noise levels have been measured at a distance of 1m from the blower.

### PERFORMANCE CURVE

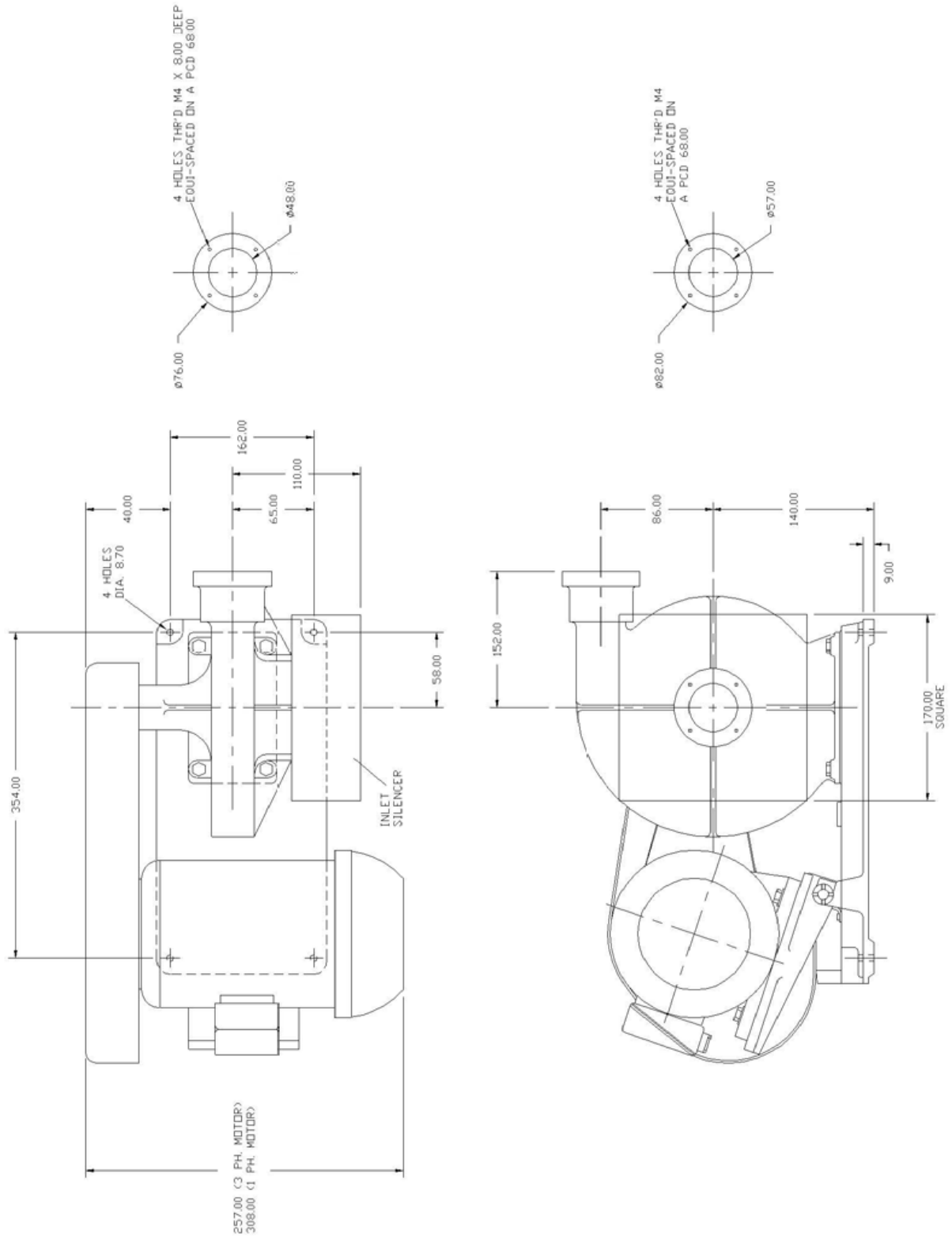


BLOWERS - HIGH VELOCITY

## Model 575/1

### DIMENSIONAL DRAWING

BLOWERS - HIGH VELOCITY



All dimensions in mm