

Model 574

HIGH PRESSURE AIRFLOW FOR COOLING & HEATING

FEATURES AND BENEFITS

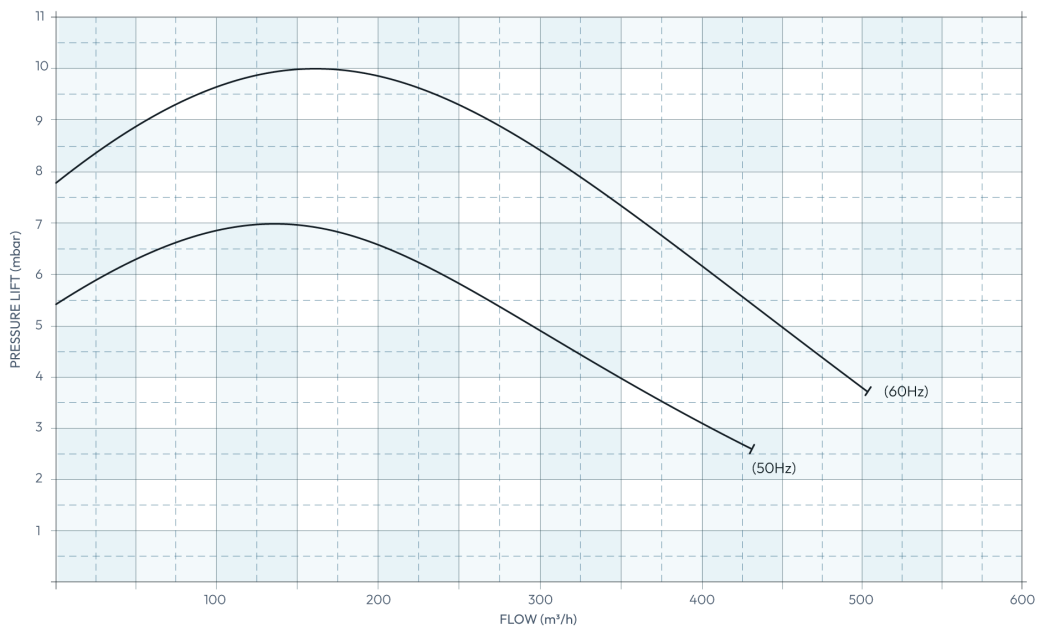
- Belt & Bearing-Free Design
- Increase Pressure By Up To:
 - 7 mbar (50Hz)
 - 10 mbar (60Hz)
- High-Strength Industrial Design
- Energy Efficient Motor Technology
- Very Compact For Easy Installation
- No Maintenance



Product supplied may differ from image based on pressure requirements. Image represents Model 574 Direct Drive Fan.

	MODEL 574
Motor	0.18 kW
Weight	8 kg
Phase	1
Noise level	65 dB(A)
Voltage	240 V
Frequency	50 / 60 Hz
Run current	1.0 A
Max inlet air*	40° C

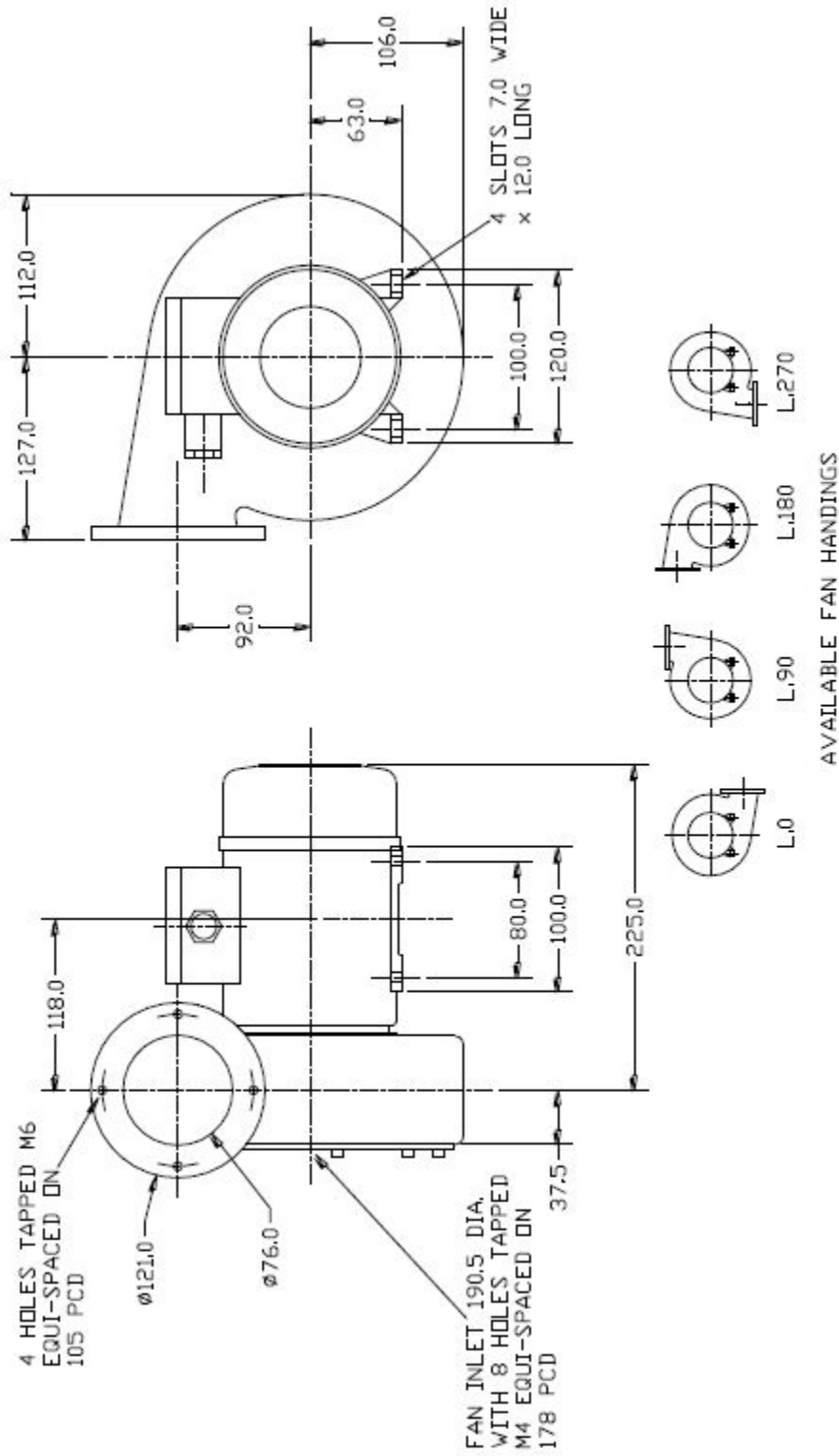
PERFORMANCE CURVE



BLOWERS - DIRECT DRIVE

Model 574

DIMENSIONAL DRAWING



All dimensions in mm