

## Model 573

HIGH PRESSURE AIRFLOW FOR COOLING & HEATING

### FEATURES AND BENEFITS

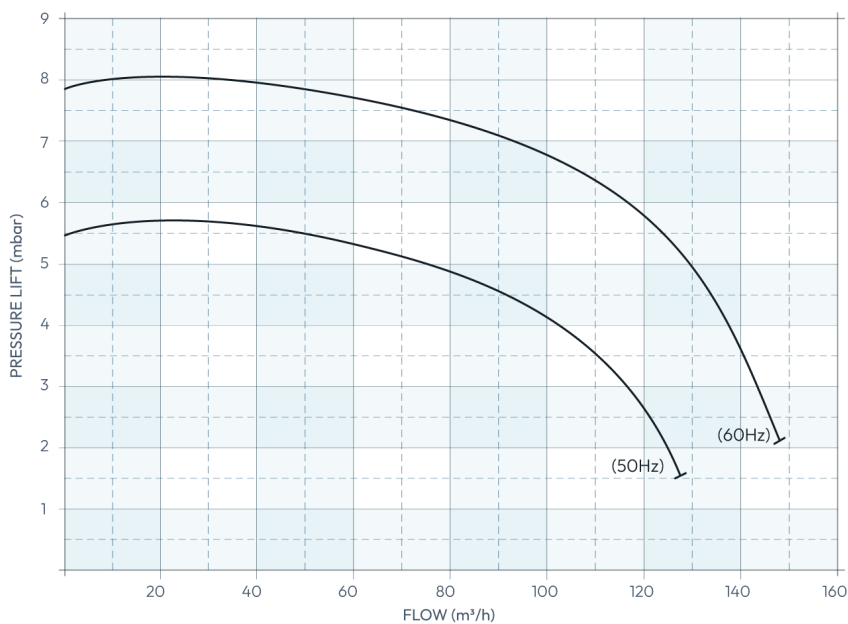
- Belt & Bearing-Free Design
- Increase Pressure By Up To:
  - 5.2 mbar (50Hz)
  - 8 mbar (60Hz)
- High-Strength Industrial Design
- Energy Efficient Motor Technology
- Very Compact For Easy Installation
- No Maintenance



Product supplied may differ from image based on pressure requirements. Image represents Model 573 Direct Drive Fan.

MODEL 573/102	
Motor	0.18 kW
Weight	6 kg
Phase	1
Noise level	62 dB(A)
Voltage	240 V
Frequency	50 / 60 Hz
Run current	1.0 A
Max inlet air*	40° C

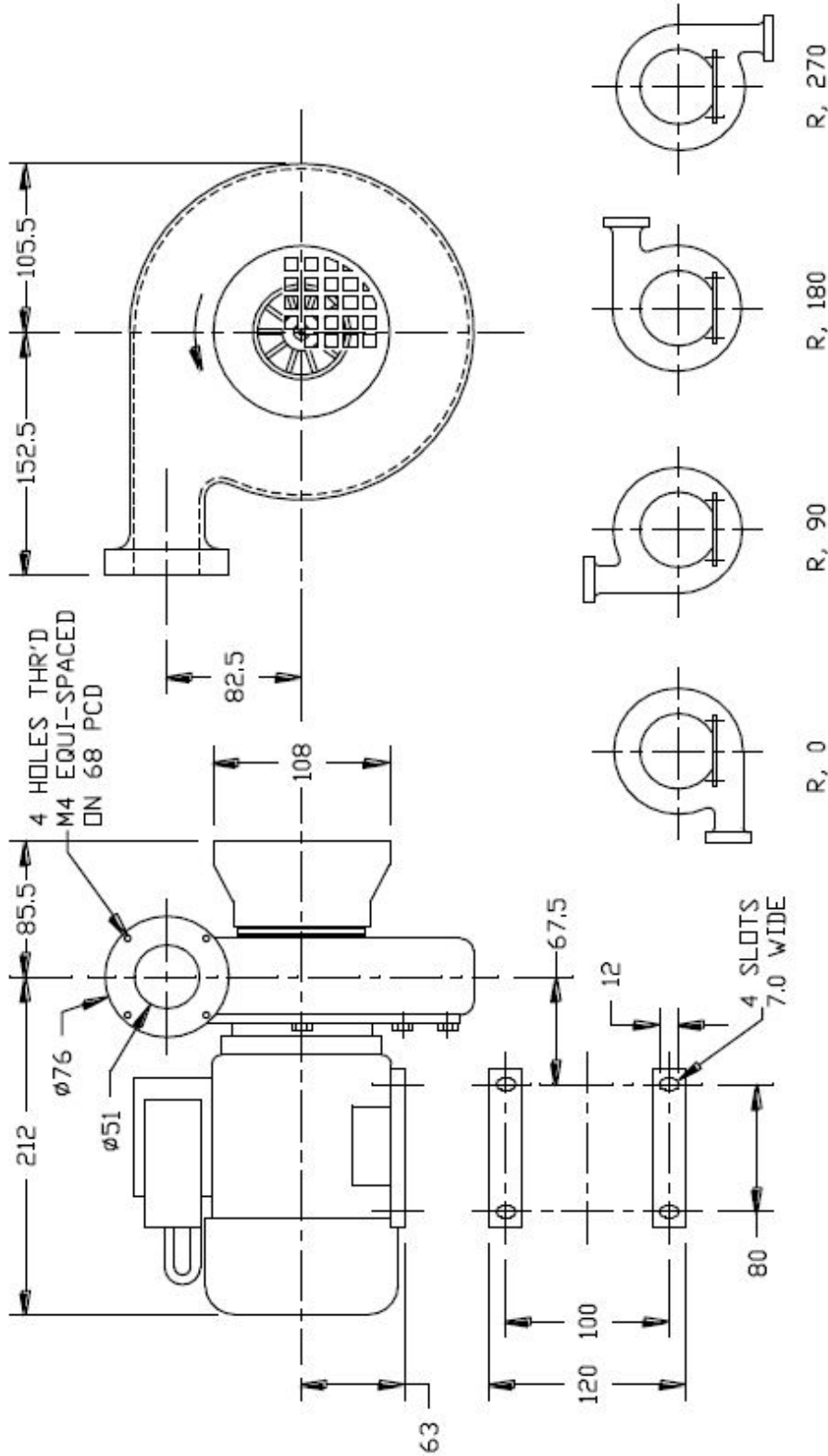
### PERFORMANCE CURVE



BLOWERS - DIRECT DRIVE

## Model 573

DIMENSIONAL DRAWING



AVAILABLE FAN HANDINGS

All dimensions in mm