

Model 513

HIGH PRESSURE AIRFLOW FOR COOLING & HEATING

FEATURES AND BENEFITS

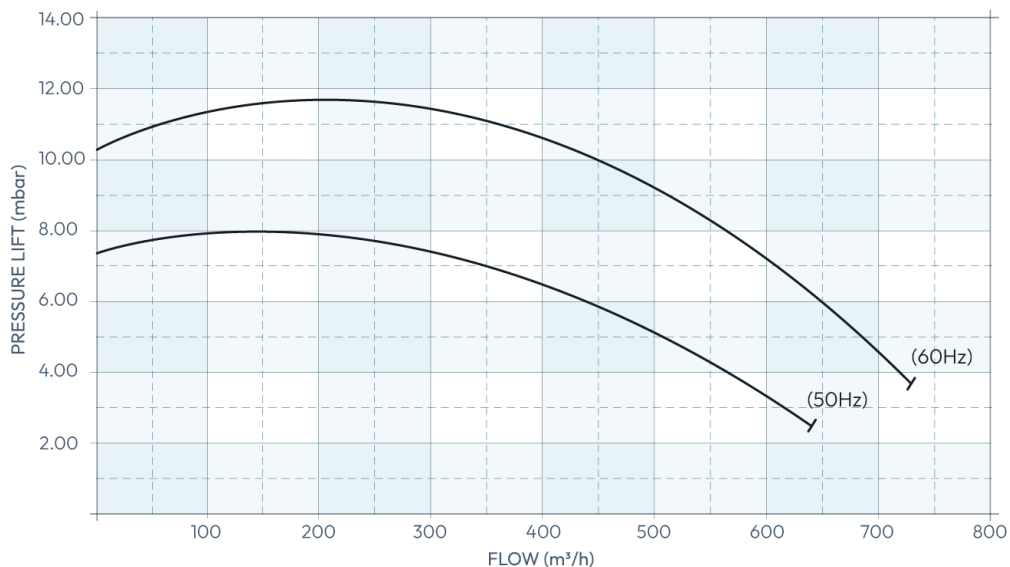
- Belt & Bearing-Free Design
- Increase Pressure By Up To:
 - 10 mbar (50Hz)
 - 11.75 mbar (60Hz)
- High-Strength Industrial Design
- Energy Efficient Motor Technology
- Very Compact For Easy Installation
- No Maintenance



Product supplied may differ from image based on pressure requirements. Image represents Model 513 Direct Drive Fan.

	SINGLE PHASE	THREE PHASE
Motor	0.37 kW	0.37 kW
Weight	12 kg	12 kg
Phase	1	3
Noise level	73 dB(A)	73 dB(A)
Voltage	240 V	400 V
Frequency	50 / 60 Hz	50 / 60 Hz
Run current	2.5 A	1.0 A
Max inlet air	40° C	40° C

PERFORMANCE CURVE

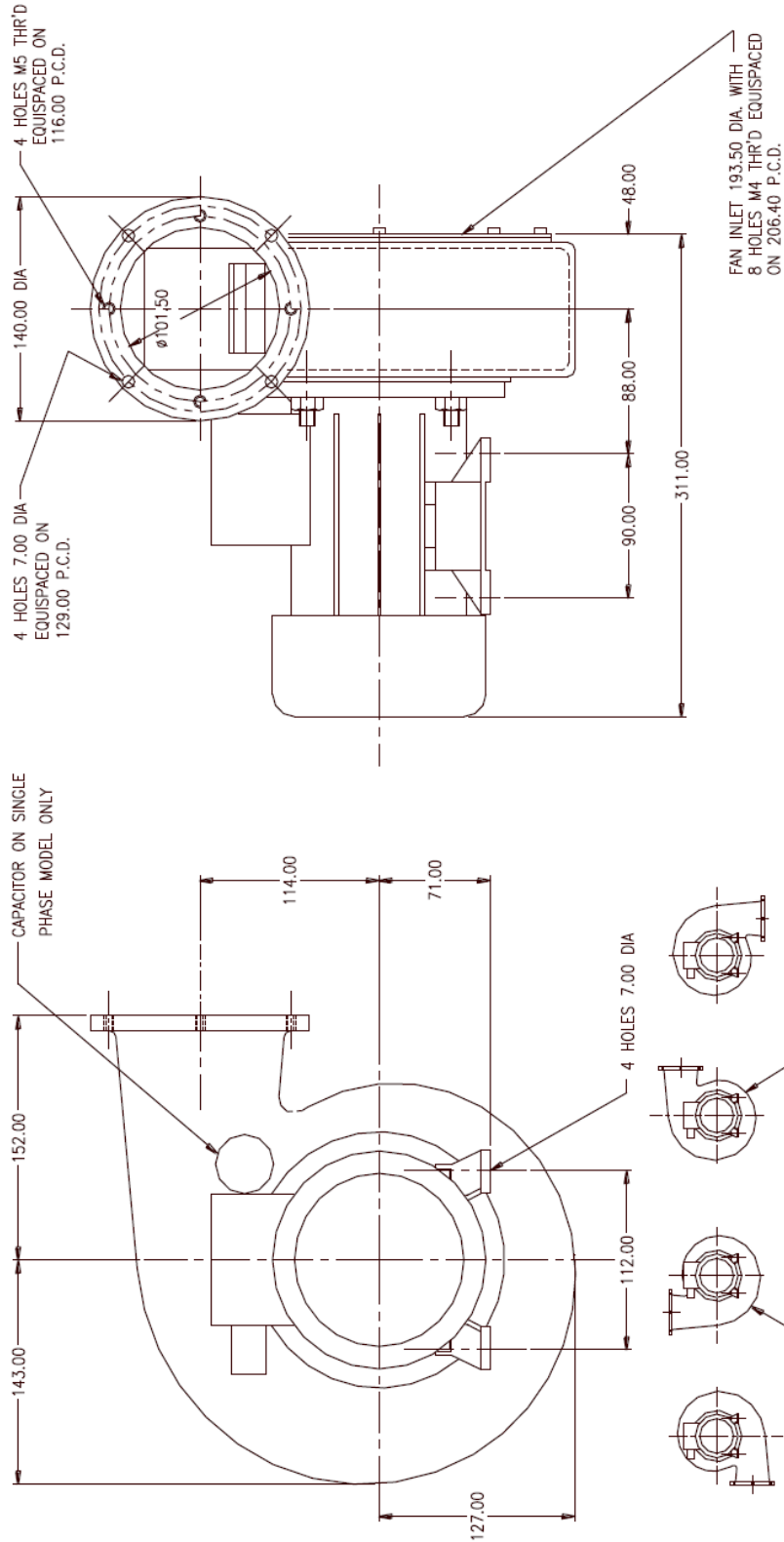


BLOWERS - DIRECT DRIVE

Model 513

DIMENSIONAL DRAWING

BLOWERS - DIRECT DRIVE



All dimensions in mm