

## Model 492/1

HIGH-SPEED AIRFLOW FOR COOLING & HEATING

### FEATURES AND BENEFITS

- Reliable Belt-Driven Performance
- Increase Pressure By Up To 137 mbar
- Extremely Energy Efficient
- High-Strength Industrial Design
- Compact Footprint For Easy Installation
- Very Low Maintenance



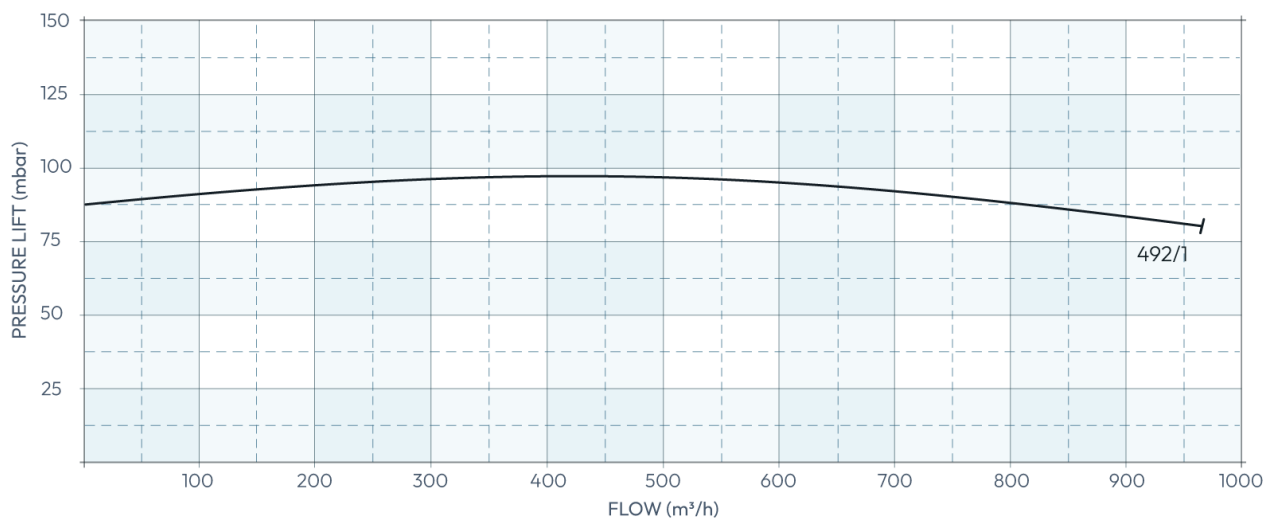
Product supplied may differ from image based on pressure requirements. Image represents Model 428 High Velocity Blower.

	492/1
Motor	4.0 kW
Weight	60 kg
Phase	3
Noise level*	84 dB(A)
Voltage	380 V - 480 V
Frequency	50 / 60 Hz
Run current	7.2 A

\*Noise levels have been measured at a distance of 1m from the blower.

BLOWERS - HIGH VELOCITY

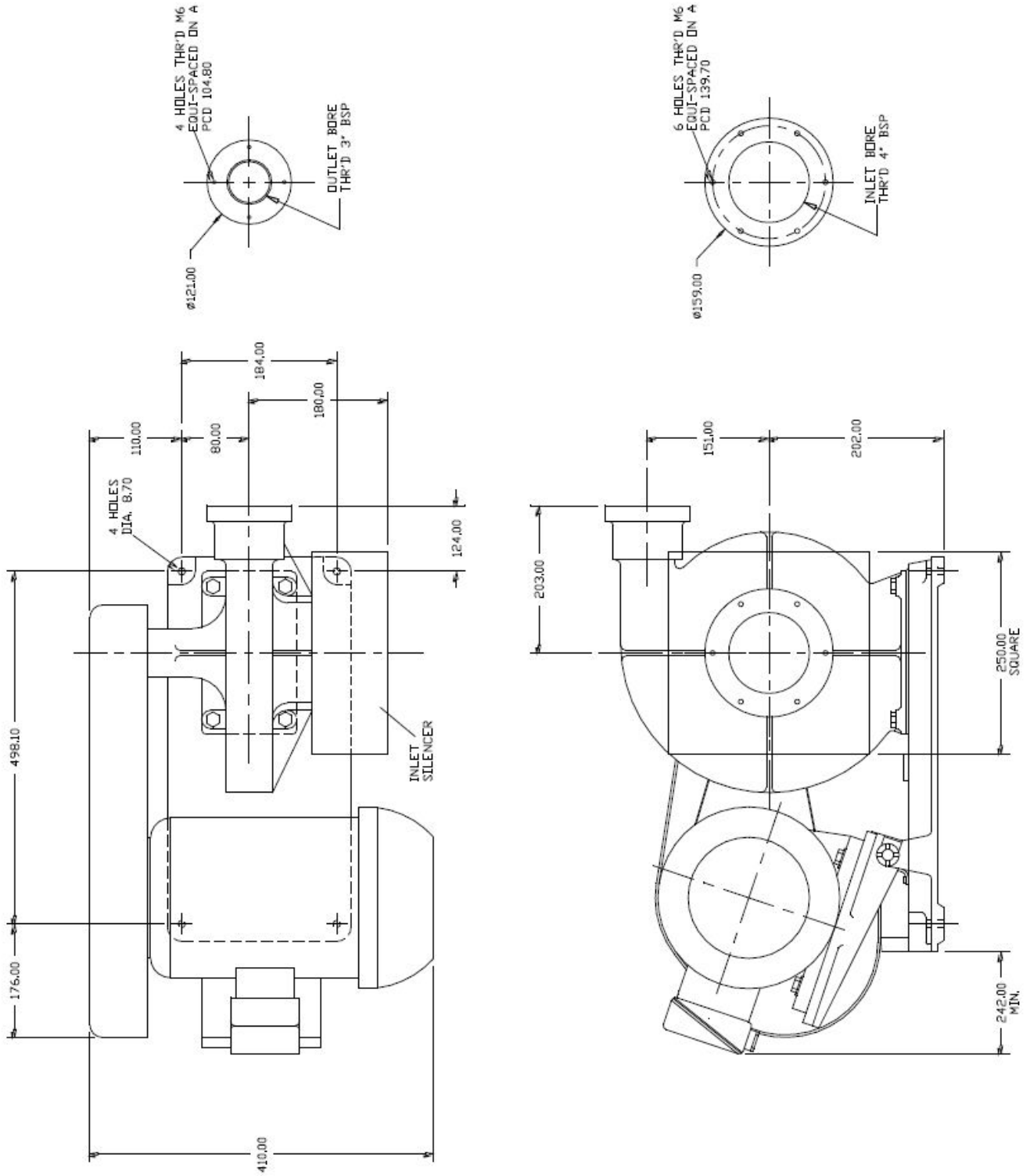
### PERFORMANCE CURVE



## Model 492/1

### DIMENSIONAL DRAWING

BLOWERS - HIGH VELOCITY



All dimensions in mm