

## Model 428/F

HIGH-SPEED AIRFLOW FOR COOLING & HEATING

### FEATURES AND BENEFITS

- Reliable Belt-Driven Performance
- Increase Pressure By Up To 98 mbar
- Extremely Energy Efficient
- High-Strength Industrial Design
- Compact Footprint For Easy Installation
- Very Low Maintenance



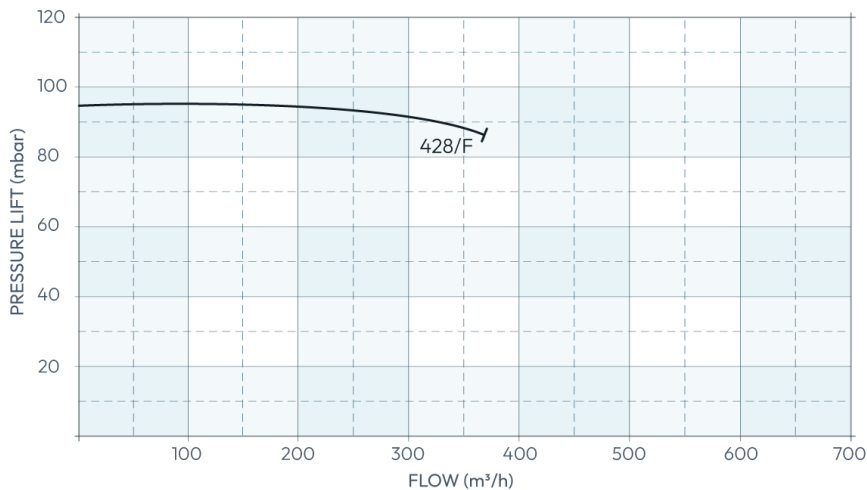
Product supplied may differ from image based on pressure requirements. Image represents Model 428 High Velocity Blower.

|             | 428/F         |
|-------------|---------------|
| Motor       | 1.5 kW        |
| Weight      | 32 kg         |
| Phase       | 3             |
| Noise level | 82 dB(A)      |
| Voltage     | 380 V - 480 V |
| Frequency   | 50 / 60 Hz    |
| Run current | 3.5 A         |

\*Noise levels have been measured at a distance of 1m from the blower.

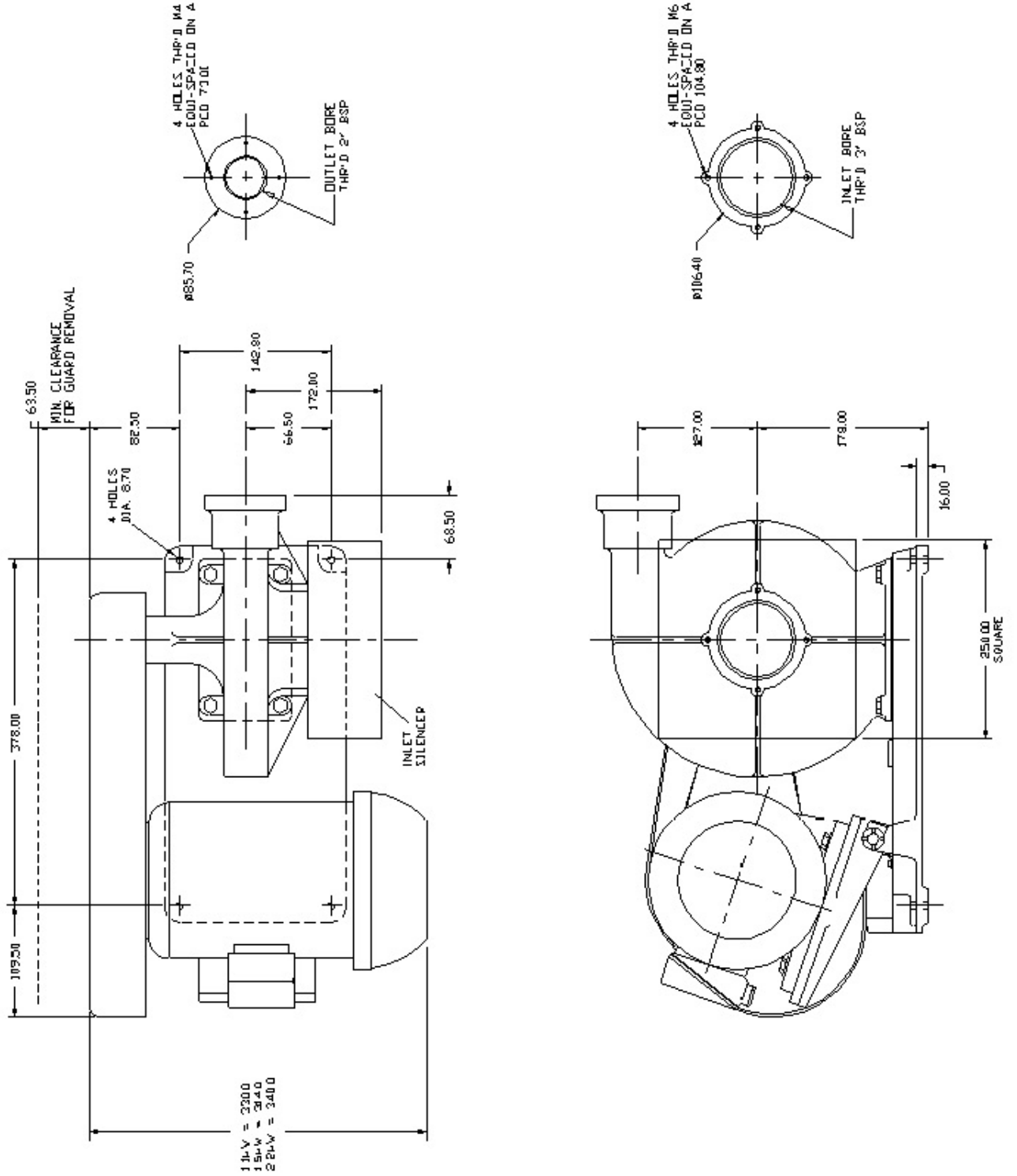
BLOWERS - HIGH VELOCITY

### PERFORMANCE CURVE



## Model 428/F

### DIMENSIONAL DRAWING



All dimensions in mm