

Model 428/D

HIGH-SPEED AIRFLOW FOR COOLING & HEATING

FEATURES AND BENEFITS

- Reliable Belt-Driven Performance
- Increase Pressure By Up To 98 mbar
- Extremely Energy Efficient
- High-Strength Industrial Design
- Compact Footprint For Easy Installation
- Very Low Maintenance



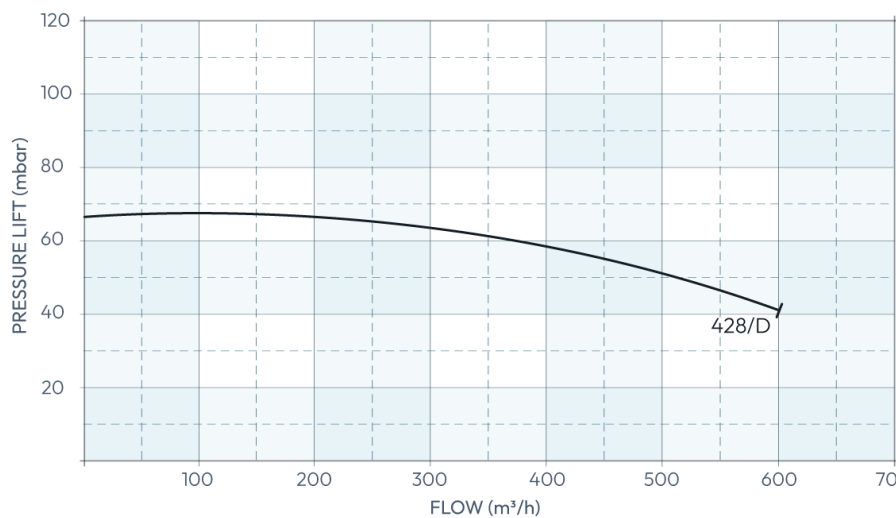
Product supplied may differ from image based on pressure requirements. Image represents Model 428 High Velocity Blower.

	428/D
Motor	1.5 kW
Weight	32 kg
Phase	3
Noise level	78 dB(A)
Voltage	380 V - 480 V
Frequency	50 / 60 Hz
Run current	3.5 A

*Noise levels have been measured at a distance of 1m from the blower.

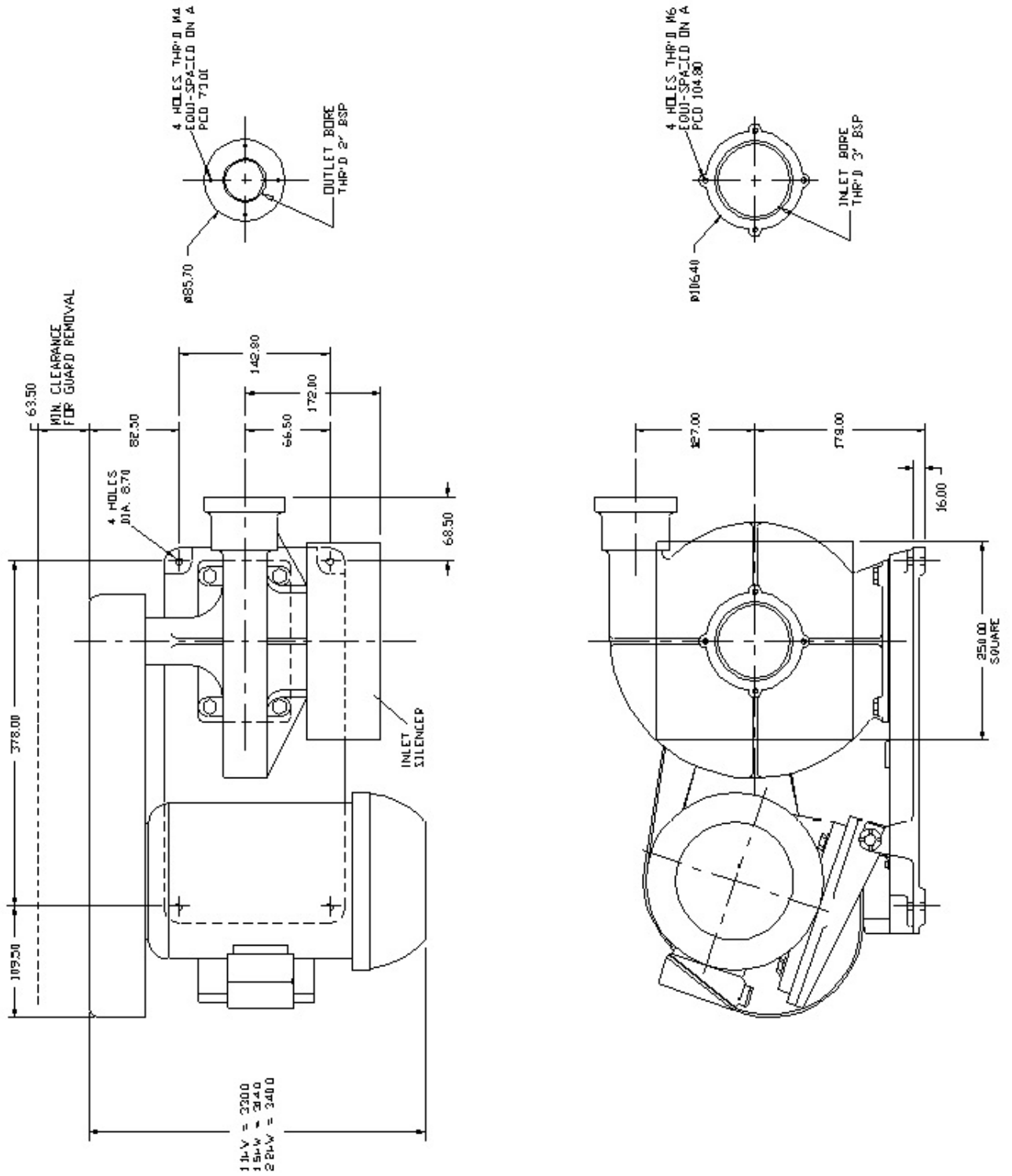
BLOWERS - HIGH VELOCITY

PERFORMANCE CURVE



Model 428/D

DIMENSIONAL DRAWING



All dimensions in mm